

2019 DOWNEAST FLEET RACING INVITATIONAL  
and  
Maine Schools Sailing Association Championship

## SAILING INSTRUCTIONS

Hosted by:  
George Stevens Academy  
Sponsored by:  
Maine Maritime Academy  
Castine, ME  
May 11-12, 2019

### 1. RULES

The regatta will be governed by the rules as defined in The Racing Rules of Sailing for 2017-2020 including US Sailing Prescriptions (RRS), ISSA Procedural Rules (PR) including NESSA modifications (NM), and as amended in the Notice of Race (NOR) and these Sailing Instructions (SI).

The penalty for a foul occurring outside the 3 boatlength circle shall be 1-turn, fouls occurring inside the 3 boatlength circle shall be 2-turns. The penalty for a rule 34 infraction remains unchanged

### 2. NOTICES TO COMPETITORS

Notices to competitors will be posted on Techscore. Techscore will serve as the Official Notice Board for this regatta.

### 3. CHANGES TO SAILING INSTRUCTIONS

- Changes to the SI will be posted on the official notice board 1 hour before racing is scheduled
- Changes to the SI made on the water will be posted on a white board on the Race Committee (RC) boat and verbally delivered to the rotation dock.

### 4. BOATS

- Mainsheet ratio may be adjusted
- Standard rigging shall not be adjusted
- Competitors shall report any damage or loss of equipment, however slight, to the organizing authority immediately after securing the boat.
- A boat shall be known by her sail number.

### 5. SCHEDULE OF RACES

- Saturday; first warning @ 1057 hrs
- Sunday; first warning @ 0957 hrs, no race to start after 1500 hrs
- Competitors will rotate after two races; rotation schedule posted on notice board
- Races will be configured to run approximately 18 minutes
- 24 races will be attempted with a minimum of 3 per division.

### 6. RACING AREA

- Racing will be conducted on the waters of Smith Cove

- Floats or moored vessels are considered obstructions for this regatta

## **7. MARKS**

- Marks may be Yellow Cylinders or Orange tetrahedrons.

## **8. COURSES**

- Courses are described in Appendix A.

## **9. START & FINISH**

- Races will be started in accord with Appendix S
- Individual recalls will be in accordance with RRS 29.1 - RC will attempt to hail sail numbers that are over early. The X flag will fly for 1 minute after the start.
- General recalls will be in accordance with ISSA PR 7.8(b). After a general recall the 'round-the-ends rule (ISSA PR 7.8b) will be in effect for that race.
- Course 3 and 5 finish will be to windward between the orange flag on the RC boat and a yellow cylinder buoy.

## **10. RETIREMENT**

A boat that retires must notify a RC member before leaving the race area

## **11. ABANDONMENT**

The PRO may abandon a race at any time after consulting, if available, the RC.

## **12. PROTESTS AND REDRESS REQUESTS**

- Boats must report a protest as soon as possible to the RC after finishing a race
- Protests shall be submitted in writing on the official forms and lodged with a member of the protest committee within 30 minutes of returning to the float for boat rotation.
- Breakdown/redress request will be submitted within the same time frame and on the same form as protests
- Protests may be heard by a protest committee between sets.
- Any protest not filed within 30 minutes of the RACE COMMITTEE BOAT arriving ashore at the end of the day will not be heard (ISSA 8b). The time the RC boat arrives ashore will be posted on the notice board.

## **13. SCORING**

- ISSA PR 9 - Scoring Fleet Races, and ISSA PR 11 - Scoring the Regatta, will apply.
- The RC may credit a last boat with finishing, if waiting for her to finish would cause a delay (this changes RRS A 2.1).

## **14. SAFETY**

- Drysuits or Full body wetsuits (min 3mm) are required.
- A boat that retires from a race shall notify the RC as soon as possible
- Boats are required to report breakdowns to the RC as soon as possible after finishing or retiring from a race.

## **15. TROPHIES**

- The perpetual Jim Modisette Memorial Downeast Regatta Trophy will be awarded to the First Place team.

- The perpetual MSSA Championship Trophy will be awarded to the top Maine school.

**16 DISCLAIMER OF LIABILITY**

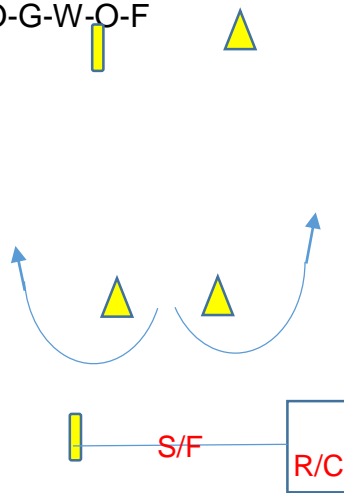
Competitors participate in the regatta entirely at their own risk. Rule 4 - decision to race applies. The organizing authority will not accept any liability for material damage, personal injury or death sustained in conjunction with, prior to, during, or after the regatta.

**17 CLEAN REGATTA PROVISION**

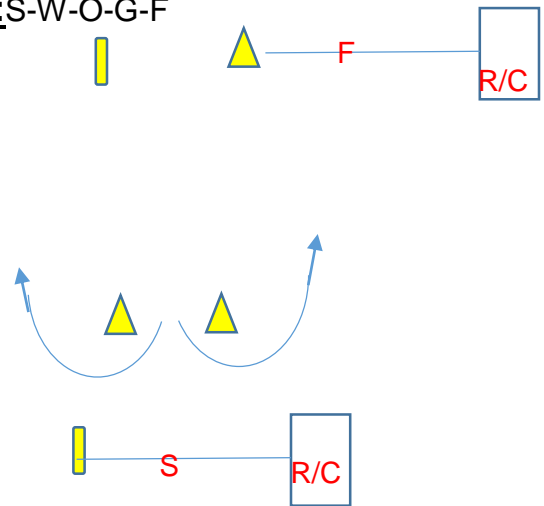
Maine Maritime Academy is committed to limiting waste created by use of disposable waterbottles. Teams are discouraged from using disposable bottles for any liquids, on the water or on the shore. Teams found to violate this rule may be assigned a penalty not less than 20% of their overall scores.

**APPENDIX A—COURSE DIAGRAMS**

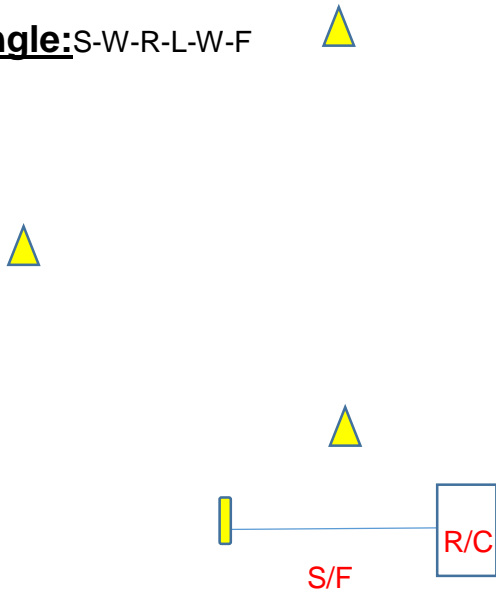
**W4**:S-W-O-G-W-O-F



**W3**:S-W-O-G-F



**Triangle**:S-W-R-L-W-F



- S-Start
- W-Windward
- O-Offset
- G-Gate
- R-Reach
- F-Finish